

# Transformer Protection

## Amp-Trap® and 9F62 Bolt-In Series

### 5.0kV, 5.5kV, 7.2kV, 8.25kV, and 15.5kV

#### Bolt-In fuses:

Mersen fersen fuses for the protection of transformers and distribution lines deliver overload and short circuit protection. These current-limiting fuses will melt at current that can be as low as 1.7 times the fuse current ratings up to its maximum interrupting rating. These fuses are designed to withstand the transformer magnetizing inrush current. They are single, double, triple or quadruple barrels 3 inch diameter (size D) with end mounts designed for bolting directly to equipment bus or terminal pads.

#### Features/Benefits:

- UL listed for compatibility with UL listed equipment.
- Bolt-In mounting for direct connection to bus or terminals.
- Current-limiting for superior equipment protection.
- Non-venting for silent operation
- Metal embossed catalog number and manufacturing date for lasting identification.
- Outdoor usage for the 9F62.
- Blown-fuse indicator to give positive identification of open fuse.
  - Amp trap: 2 lb tripped force - 0.50 Inch
  - 9F62: 0.125 lb tripped force – 0.20 Inch

#### Highlights:

- E-Rated
- UL listed
- Outdoor use



#### Applications:

- Protection for 5.5kV to 15.5kV transformers or distribution systems.

#### Definitions:

##### General Purpose Current-Limiting Fuses (Per IEEE Std C37.40-2003):

A general purpose current-limiting fuse is one that is capable of interrupting all currents from its rated interrupting current down to the current that causes melting of the fusible element(s) in one hour or more.

**E-Rating:** E-Rated fuses are general purpose fuses that operate as follows (Per ANSI C37.46-2000):

- 100E or less – must melt in 300 seconds (5 mins.) at 200 to 240% of E (ampere) rating.
- Over 100E – must melt in 600 seconds (10 mins.) at 220 to 264% of E (ampere) rating.
- Example: A 100E fuse must melt in 300 seconds with an applied current of 200 to 240 amperes.



#### Ratings:

##### Amp-Trap Bolt-in Series

##### A050B:

**Volts** : 5.0kV AC  
**Amps** : 1200E  
**IR** : 59kA Sym

##### A055B:

**Volts** : 5.5kV AC  
**Amps** : 10 to 900E  
**IR** : 59kA Sym

##### A072B:

**Volts** : 7.2kV AC  
**Amps** : 250 to 400E  
**IR** : 65kA Sym

##### A083B:

**Volts** : 8.25kV AC  
**Amps** : 125 to 200E  
**IR** : 50kA Sym

##### A155B:

**Volts** : 15.5kV AC  
**Amps** : 200 to 300E  
**IR** : 50kA Sym

##### 9F62 Series Type EJO-1

##### 9F62

**Volts** : 5.5kV AC  
: 15.5V AC  
**Amps** : 300 to 900A  
**IR** : 50kA Sym

#### Approvals:

- UL Listed to standard File E143362



Shah & Shah Enterprise

[www.shahent.co.in](http://www.shahent.co.in)

# Transformer Protection

## Amp-Trap® and 9F62 Bolt-In Series

7.2kV / 8.25kV / 15.5kV Bolt-in fuses:

### 7.2kV E-Rated Amp-Trap Bolt-In Series

Suitable for use indoors or in an enclosure only



Catalog No.	Amp Rating	No. of Barrels	Indicating	Max Voltage	Max IR RMS Sym	Figure
A072B2D0R0-250E	250E	2	Yes	7.9kV	65kA	G
A072B2D0R0-300E	300E					
A072B2D0R0-350E	350E					
A072B2D0R0-400E	400E					

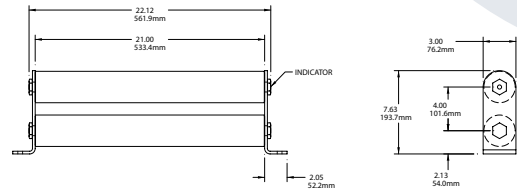
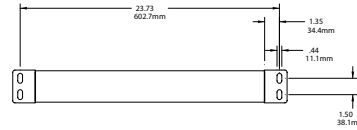


Figure G



### 8.25kV E-Rated Amp-Trap Bolt-In Series

Suitable for use indoors or in an enclosure only

Catalog No.	Amp Rating	No. of Barrels	Indicating	Max Voltage	Max IR RMS Sym	Figure
A083B2DAR0-125E	125E	2	Yes	8.25kV	50kA	H
A083B2DAR0-150E	150E					
A083B2DAR0-175E	175E					
A083B2DAR0-200E	200E					

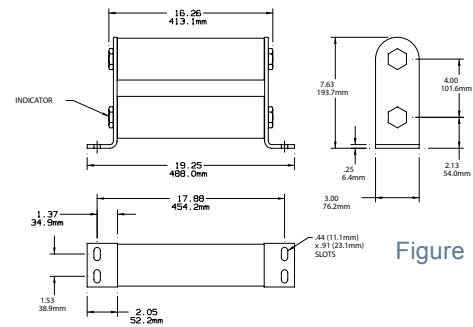


Figure H

### 15.5kV E-Rated Amp-Trap Bolt-In Series

Suitable for use indoors or in an enclosure only



Catalog No.	Amp Rating	No. of Barrels	Indicating	Max Voltage	Max IR RMS Sym	Figure
A155B2D0R0-200E	200E	2	Yes	15.5kV	50kA	J
A155B3D0R0-300E	300E	3	Yes	15.5kV	50kA	K

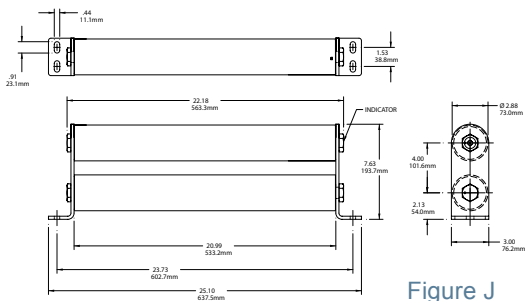


Figure J

### 15.5kV General Purpose fuses – 9F62 Series, EJO-1 – UL Listed

Suitable for use indoors or outdoors



Catalog No.	Amp Rating	No. of Barrels	Indicating	Max Voltage	Max IR RMS Sym	Figure	Fuse Support Indoor (EK-1)	Fuse Support Outdoor (EK0-1)
9F62KED300	300A	4	Yes	15.5 kV	50kA	L	9F61AHG001	9F61CHL009

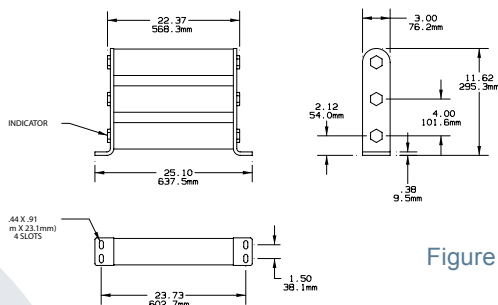


Figure K

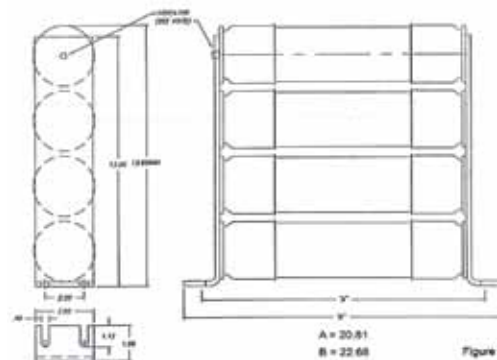


Figure L



Shah & Shah Enterprise

www.shahent.co.in